



DUST-R & GRANULAR APPLICATORS USER'S MANUAL

Safety Precautions

- Always wear personal protection equipment required by the insecticide label.
- Keep stopper and caps on all dusters while not in use and while transporting the duster
- Always follow label directions on dust or granular insecticides.

Suggested Uses

- For the application of dust and granular formulations of insecticides in cracks and crevices and voids, and perimeter treatment with granules, and dusting rodent burrows.
- The Long-Reach Granular Dust-R is for applying dust or granules un areas high above ground, such as wasp nests, attic soffits and eaves, and tree holes.

Before Starting

- Be sure the plunger moves back and forth smoothly; if not, place a small amount of graphite powder into the air port in the handle.
- Become familiar with the position of the siphon tube to ensure proper regulation of the dust applied.

Operating Instructions

Filling

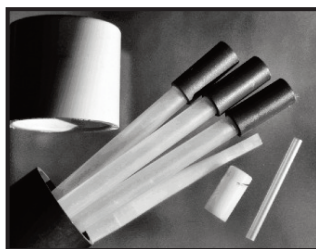
- Unscrew the cap at the end of the Mini Dust-R and fill the open end (0.5 lb. dust, 7 oz. granules)
- Unscrew the 2-qt. bottle from the end of the Hand Dust-R and Long- Reach Dust-R and add dust or granules to bottle (3/4 full).

Select Tip

- Any of the tips supplied with the unit can be used to apply dust.
- The small tips and extensions may not allow the passage of granules.

Application Tips

The application tips and extensions for the Mini Dust-R and the other models are stored inside the plunger tube. Remove end cap of the plunger tube to access the tips.

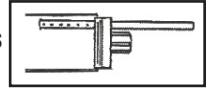


Crack and Crevice Tip

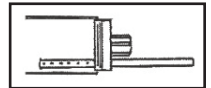
Adjusting Delivery

- The volume of dust or granules applied can be adjusted by rotating the position of the siphon tube.

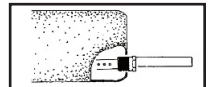
Siphon tube at top - This position delivers the least amount of dust or granules with each stroke of the plunger.



Siphon tube at the bottom - This position delivers the most amount of dust or small granules.



Hand and Long-Reach Dust-R - The upper siphon tube in the bottle can be positioned up or down to change output.



Care and Maintenance

- Keep the plunger tube lubricated; place a small amount of graphite powder in the air port regularly.
- Keep the seal and top free of dust or granules when threading the cap on the Mini Dust-R and the Hand and Long-Reach Dust-R.

Trouble Shooting

Problem: Dust leaking around the cap

Solution:

- Tighten the cap
- Replace the seal in the cap

Problem: Not enough dust delivered with each stroke

Solution:

- Turn unit until the siphon tube is at the bottom, resting in the dust
- Add marbles to container to keep dust from clumping

Problem: Dust leaking around the handle

Solution:

- Clean around the check valve at the bottom of the pump cylinder
- Replace the check valve (PV-266)

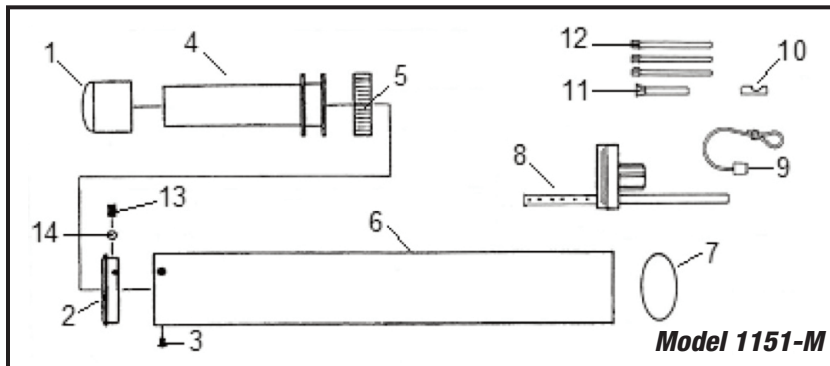
Problem: Dust leaking around the handle

Solution: Replace worn plunger gland (#DR-020)

Problem: Granules not delivered through the siphon tube

Solution:

- Upper siphon tube in Long Reach Dust-R must be plugged
- Not enough dust or granules in container
- Some granular formulations have different size particles, and some are too large for the siphon

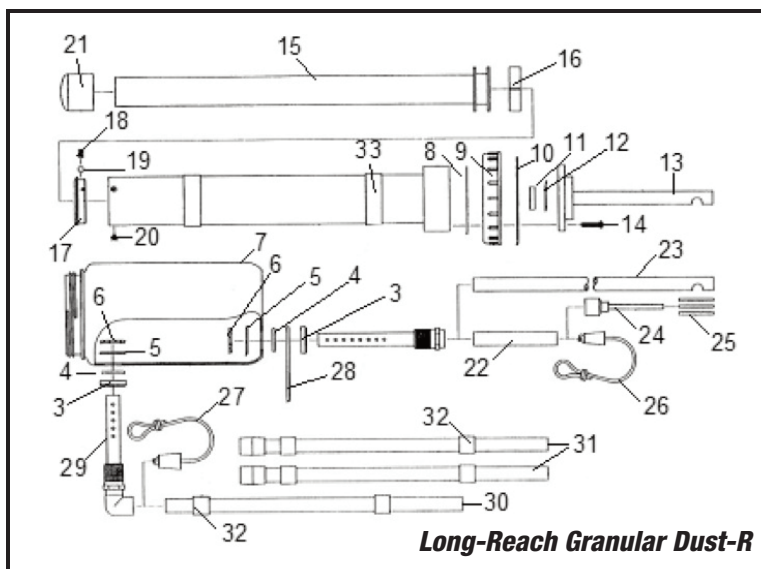
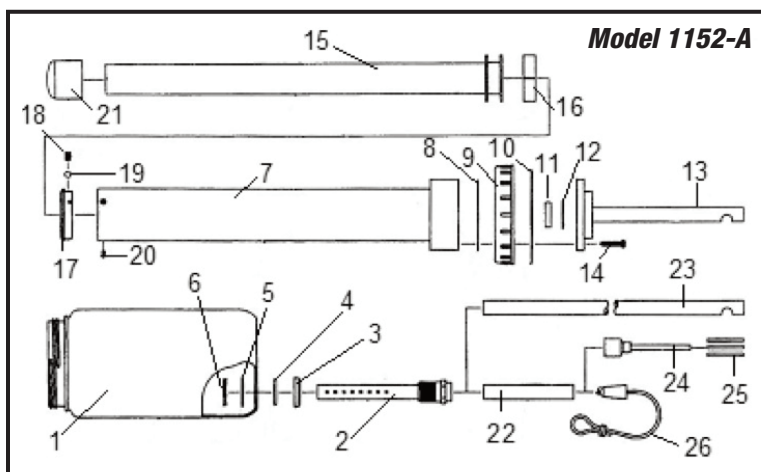


MODEL 1151-M MINI-DUST-R

#	Part #	Description
1	MDR-1	Cap
2	MDR-2	Collar
3	1174	Screw, flat head #6
4	MDR-4	Plunger
5	DR-020	Pump gland
6	MDR-7	Barrel
7	MDR-8	Barrel seal
8	MDR-9	Closure
9	MDR-10	Stopper assembly
10	MDR-11	Tip, offset fan
11	MDR-12	Tip, straw
12	MDR-13	Extensions (3)
13	VT-616	Spring
14	MDR-15	Ball

MODEL 1152-A HAND DUST-R LONG-REACH GRANULAR DUST-R

#	Part #	Description
1	DR-003	Bottle – 1152-A
2	24050001	Bottle – Long Reach
3	DR-027	Outlet
4	2273	O-Ring
5	DR-029	Washer
6	DR-028	Locknut
7	DR-012	Barrel
8	DR-010	Seal, barrel
9	DR-009	Bottle cap
10	DR-006	Bottle seal
11	DR-008	Valve
12	DR-007	Valve plate
13	DR-005	Valve cap
14	1224	Screw, hex head #8
15	MDR-4A	Plunger
16	DR-020	Pump gland
17	MDR-2	Collar
18	MDR-15	Ball
19	VT-616	Spring
20	1174	Screw, flat head #6
21	MDR-1	Cap
22	DR-002	Short extension
23	DR-011	Long extension
24	041	Tip, pencil
25	042	Tip, straw
26	DR-001	Stopper assembly
27	24050010	Stopper assembly
28	24050016	Extension clip
29	24050008	Granular outlet
30	24050012	Granular extension
31	24050011	Extension
32	24050014	Extension Velcro
33	24050015	Barrel Velcro



B&G Help Line
800-544-8811

135 REGION SOUTH DRIVE • JACKSON, GA 30233
Toll Free 800-544-8811 • Phone 678-688-5601
www.bgequip.com • Fax 678-688-5633